



Smart solutions.
Strong relationships.

LT Motors

Slip Ring Motors

Cat No: LTM/Cat/01/Dec.2009



AVANTHA
GROUP COMPANY





PERFORMANCE FIGURES OF TEFC SLIPRING MOTORS FOR 45°C / 75°C

OUTPUT		P O L E	FRAME SIZE	FL RPM	FLC AMPS.	EFFICIENCY (%)			POWER FACTOR			OC ROTOR VOLTS	ROTOR CURRENT AMPS	GD. ² KGM. ²	NET WT. kg.
kW	HP					FL	3/4 LOAD	1/2 LOAD	FL	3/4 LOAD	1/2 LOAD				
3.0	4.0	8	NDW160M	690	8.0	80.0	79.0	77.0	0.68	0.64	0.56	230	8.0	0.58	141
3.7	5.0	8	NDW160M	710	9.0	81.0	80.0	78.0	0.68	0.64	0.56	230	10.0	0.58	141
5.5	7.5	6	NDW160M	940	12.0	83.0	82.0	80.0	0.76	0.74	0.66	180	18.5	0.58	141
		8	NDW160L	710	14.0	82.0	81.0	79.0	0.68	0.64	0.56	360	10.0	0.80	165
7.5	10.0	4	NDW160M	1440	15.0	83.0	82.0	80.0	0.84	0.80	0.72	350	13.0	0.48	141
		6	NDW160L	940	17.0	83.0	82.0	80.0	0.76	0.72	0.64	260	19.0	0.77	165
		8	NDW180L	710	18.0	84.0	83.0	81.0	0.68	0.64	0.56	350	13.0	1.58	235
9.3	12.5	4	NDW160L	1440	18.0	84.0	83.0	81.0	0.84	0.80	0.72	350	16.0	0.35	165
		6	NDW180M	950	18.0	86.0	85.0	83.0	0.82	0.78	0.70	230	24.0	1.33	205
		8	NDW200L	725	22.0	86.0	85.0	83.0	0.68	0.64	0.76	300	19.5	2.68	313
11.0	15.0	4	NDW160L	1440	22.0	84.0	83.0	81.0	0.84	0.80	0.72	350	19.0	0.35	165
		6	NDW180L	950	22.0	86.0	85.0	83.0	0.82	0.78	0.70	230	28.5	1.58	235
		8	NDW200L	725	26.0	87.0	86.0	84.0	0.68	0.64	0.56	300	23.0	2.68	313
15.0	20.0	4	NDW180L	1445	28.0	88.0	87.0	85.0	0.84	0.80	0.72	350	27.0	1.26	235
		6	NDW200L	970	29.0	89.0	88.0	86.0	0.82	0.78	0.70	295	31.0	2.68	313
		8	NDW225M	730	34.0	87.0	86.0	84.0	0.70	0.66	0.58	350	27.0	3.06	410
18.5	25.0	4	NDW200L	1470	34.0	89.0	88.0	86.0	0.84	0.80	0.72	300	36.0	2.18	313
		6	NDW225M	970	35.0	89.0	88.0	86.0	0.82	0.78	0.70	310	37.0	2.87	410
		8	NDW225M	730	42.0	88.0	87.0	85.0	0.70	0.66	0.58	360	32.0	3.63	410
22.0	30.0	4	NDW200L	1470	40.0	89.0	88.0	86.0	0.85	0.81	0.73	390	33.0	2.34	313
		6	NDW225M	970	42.0	89.0	88.0	86.0	0.82	0.78	0.70	350	40.0	3.25	410
		8	NDW250M	730	45.0	91.0	90.0	88.0	0.74	0.70	0.62	250	55.0	6.81	513
30.0	40.0	4	NDW225M	1470	55.0	89.0	88.0	86.0	0.85	0.81	0.73	380	47.0	2.96	410
		6	NDW250M	975	56.0	91.0	90.0	88.0	0.82	0.78	0.70	320	56.0	6.81	513
		8	NDW280S	735	62.0	91.0	90.0	88.0	0.74	0.70	0.62	440	43.0	12.89	650
37.0	50.0	4	NDW250M	1475	67.0	91.0	91.0	89.0	0.85	0.81	0.73	425	52.0	4.96	513
		6	NDW280S	980	67.0	91.0	90.0	88.0	0.84	0.80	0.72	410	57.0	12.89	650
		8	NDW280M	735	76.0	91.0	90.0	88.0	0.74	0.70	0.62	520	45.0	15.14	720
45.0	60.0	4	NDW250M	1475	82.0	90.0	89.0	87.0	0.85	0.81	0.73	445	60.0	5.70	513
		6	NDW280M	980	80.0	91.5	91.0	89.0	0.85	0.81	0.73	320	87.0	15.14	720
		8	NDW315S	735	93.0	91.0	90.0	88.0	0.74	0.70	0.62	320	88.0	21.66	950
55.0	75.0	4	NDW280S	1480	97.0	91.5	91.0	89.0	0.86	0.82	0.74	460	73.0	10.61	650
		6	NDW315S	980	98.0	92.0	91.0	89.0	0.85	0.81	0.73	535	62.0	22.00	950
		8	NDW315M	735	112.0	91.0	90.0	88.0	0.75	0.71	0.63	320	108.0	24.16	1000
75.0	100.0	4	NDW280M	1480	130.0	92.5	92.0	90.0	0.87	0.83	0.75	490	92.0	12.45	720
		6	NDW315M	980	132.0	93.0	92.0	90.0	0.85	0.81	0.73	470	96.0	24.16	1000
		8	NDW315LX	730	155.0	91.0	90.0	88.0	0.74	0.67	0.56	357	128.0	28.00	1000
90.0	120.0	4	NDW315S	1480	157.0	92.5	92.0	90.0	0.86	0.82	0.74	505	106.0	18.22	950
		6	NDW315LX	985	169.0	92.5	92.0	90.0	0.84	0.80	0.70	357	140.0	24.26	1220
		8	NDW315LX	735	185.0	91.5	90.5	88.0	0.74	0.67	0.56	410	133.0	33.20	1220
110.0	150.0	4	NDW315M	1485	192.0	92.5	92.0	90.0	0.86	0.82	0.74	500	132.0	20.21	1000
		6	NDW315LX	985	191.0	93.0	92.0	90.0	0.86	0.82	0.74	410	160.0	28.00	1220
		8	NDW355LX	740	224.0	92.5	92.0	90.0	0.74	0.70	0.60	410	170.0	42.60	1260
125.0	175.0	4	NDW315LX	1480	217.0	93.0	92.0	90.0	0.86	0.82	0.70	345	215.0	18.90	1220
		6	NDW315LX	985	211.0	93.8	93.0	91.0	0.88	0.84	0.70	345	214.0	33.20	1220
		8	NDW355LX	740	261.0	92.5	91.5	89.0	0.72	0.66	0.54	460	170.0	47.80	1260
132.0	180.0	4	NDW315LX	1480	230.0	93.0	92.0	90.0	0.86	0.82	0.70	345	227.0	18.90	1220
		6	NDW315LX	985	222.0	94.0	93.0	91.0	0.88	0.84	0.70	345	225.0	33.20	1220
		8	NDW355LX	740	268.0	92.5	91.5	89.0	0.74	0.68	0.56	460	180.0	47.80	1260
150.0	200.0	4	NDW315LX	1480	260.0	93.5	92.5	91.0	0.86	0.82	0.70	440	202.0	23.60	1220
		6	NDW355LX	988	263.0	94.5	94.0	92.0	0.84	0.78	0.66	400	235.0	38.20	1260
		8	NDW355LX	740	292.0	93.0	92.3	90.5	0.77	0.72	0.60	530	174.0	57.20	1260
160.0	215.0	4	NDW315LX	1480	277.0	93.5	92.5	91.0	0.86	0.82	0.70	440	215.0	23.60	1220
		6	NDW355LX	988	280.0	94.5	94.0	92.0	0.84	0.78	0.66	400	250.0	39.60	1260
		8	NDW355LX	740.0	311.0	93.0	92.3	90.5	0.77	0.72	0.60	530.0	185.0	57.2	1260



PERFORMANCE FIGURES OF TEFC SR MOTORS FOR 45°C / 75°C

OUTPUT		P O L E	FRAME SIZE	FL RPM	FLC AMPS.	EFFICIENCY (%)			POWER FACTOR			OC ROTOR VOLTS	ROTOR CURRENT AMPS	GD. ² KGM. ²	NET WT. kg.
kW	HP					FL	3/4 LOAD	1/2 LOAD	FL	3/4 LOAD	1/2 LOAD				
180.0	240.0	4	NDW355L	1485.0	317.0	94.0	93.0	91.0	0.84	0.78	0.66	500.0	232.0	25.0	1220
		6	NDW355LX	988.0	315.0	94.7	94.0	92.0	0.84	0.78	0.66	450.0	250.0	44.5	1260
		8	NDW400LX	743.0	357.0	93.5	92.5	90.0	0.75	0.70	0.58	450.0	246.0	87.8	3200
200.0	270.0	4	NDW355L	1485.0	351.0	94.5	93.5	91.5	0.84	0.78	0.66	540.0	239.0	26.6	1260
		6*	NDW355LX	988.0	358.0	94.7	94.0	92.0	0.82	0.76	0.64	480.0	260.0	44.5	1260
		8	NDW400LX	742.0	385.0	93.8	92.8	90.5	0.77	0.72	0.60	450.0	273.0	87.8	3200
225.0	300.0	4	NDW355L	1485	394.0	94.5	94.0	92.5	0.84	0.80	0.70	510	275.0	29.60	1260
		6	NDW400LX	991	397.0	93.8	93.0	91.0	0.84	0.79	0.70	440	320.0	76.60	3200
		8	NDW400LX	742	444.0	93.8	92.8	90.5	0.75	0.68	0.56	510	270.0	94.60	3200
250.0	335.0	4	NDW355LX	1485	449.0	94.5	94.0	92.5	0.82	0.76	0.65	570	275.0	31.60	1260
		6	NDW400LX	991	434.0	94.2	93.5	91.5	0.85	0.80	0.72	440	355.0	76.60	3200
275.0	370.0	4	NDW355LX	1485	486.0	94.8	94.0	92.5	0.83	0.77	0.66	630	275.0	35.50	1260
		6	NDW400LX	992	479.0	94.0	93.2	91.0	0.85	0.80	0.70	475	363.0	81.80	3200
315.0	422.0	4	NDW400LX	1491	549.0	95.0	94.5	93.0	0.84	0.79	0.70	580	328.0	56.40	3200
		6*	NDW400LX	993	560.0	94.3	93.5	91.5	0.83	0.78	0.70	570	345.0	94.60	3200
350.0	470.0	4	NDW400LX	1491	593.0	95.5	95.0	93.5	0.86	0.81	0.71	645	345.0	63.40	3200

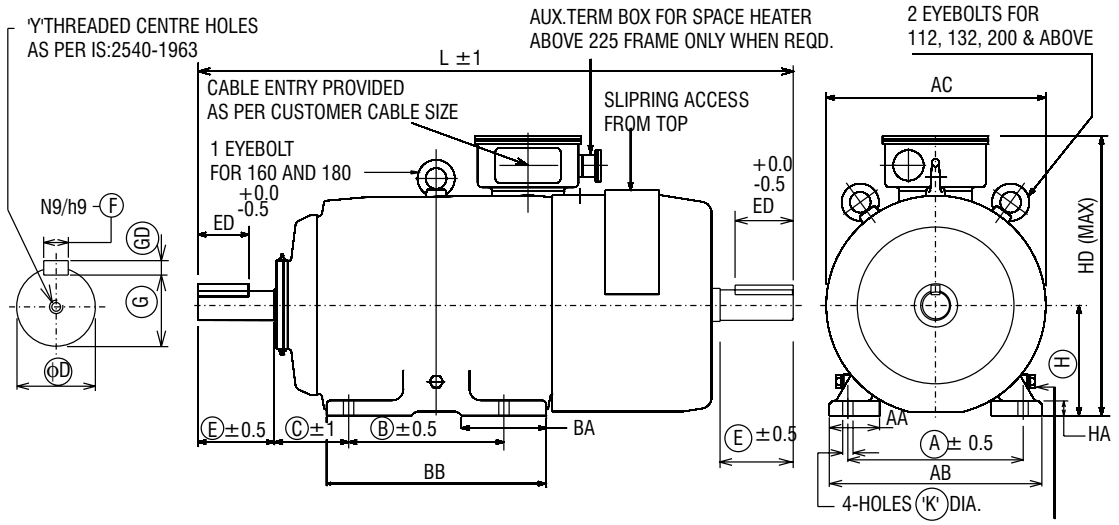
FL = Full Load; FLC = Full Load Current; OC = Open Circuit

NOTE : All performance figures are subject to tolerances as per IS 325 - 1996

* ROTOR WITH CLASS F TEMPERATURE RISE



**OUTLINE DIMENSION DRAWING FOR 3 PHASE SLIP RING TEFC
FOOT MOUNTED TB ON TOP SINGLE/DOUBLE SHAFT INDUCTION MOTORS**



RINGED DIMENSIONS ARE AS PER IS:1231
ALL DIMENSIONS ARE IN mm

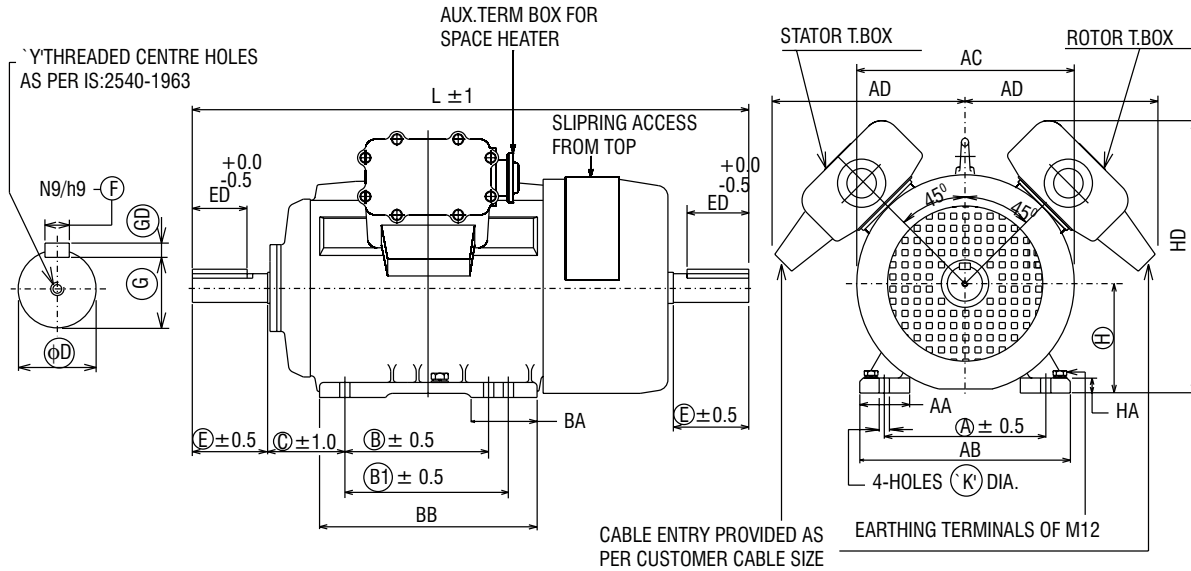
EARTHING TERMINALS OF M6 FOR 112-132 FRAMES
M8 FOR 160-225 FRAMES
M12 FOR 250-355 FRAMES

Frame	A	B	C	H	AA	AB	BA	BB	K	D	E	ED	F	GD	G	Y	AC	L	HD	HA
4 POLE & UP																				
NDW112M	190	140	70	112.0 / 111.5	36	222	50	170	12.5 / 12.0	28.018 / 28.002	60	44	8.00 / 7.964	7.00 / 6.91	24.0 / 23.8	M10x22	235	608	322	13
DW132S	216	140	89	132.0 / 131.5	48	254	54	178	12.5 / 12.0	38.018 / 38.002	80	60	10.00 / 9.964	8.00 / 7.91	33.0 / 32.8	M12x28	320	680	385	16
DW132M	216	178	89	132.0 / 131.5	48	254	54	216	12.5 / 12.0	38.018 / 38.002	80	60	10.00 / 9.964	8.00 / 7.91	33.0 / 32.8	M12x28	320	720	385	16
NDW160M	254	210	108	160.0 / 159.5	73	308	76	254	15.5 / 15.0	42.018 / 42.002	110	80	12.00 / 11.97	8.00 / 7.91	37.0 / 36.8	M16x32	318	904	435	22
NDW160L	254	254	108	160.0 / 159.5	73	308	99	298	15.5 / 15.0	42.018 / 42.002	110	80	12.00 / 11.957	8.00 / 7.91	37.0 / 36.8	M16x32	318	948	435	22
NDW180L	279	279	121	180.0 / 179.5	84	348	114	323	15.5 / 15.0	48.018 / 48.002	110	80	14.00 / 13.957	9.00 / 8.91	42.5 / 42.3	M16x32	370	1030	475	22
NDW200L	318	305	133	200.0 / 199.5	66	381	115	356	19.5 / 19.0	55.030 / 55.011	110	80	16.00 / 15.957	10.00 / 9.91	49.0 / 48.8	M20x40	428	1072	545	25
NDW225S	356	286	149	225.0 / 224.5	70	425	102	375	19.5 / 19.0	60.030 / 60.011	140	110	18.00 / 17.957	11.00 / 10.91	53.0 / 52.8	M20x40	470	1227	600	25
NDW225M	356	311	149	225.0 / 224.5	70	425	102	375	19.5 / 19.0	60.030 / 60.011	140	110	18.00 / 17.957	11.00 / 10.91	53.0 / 52.8	M20x40	470	1227	600	25
NDW250S	406	311	168	250.0 / 249.5	80	483	135	419	24.5 / 24.0	65.030 / 65.011	140	110	18.00 / 17.957	11.00 / 10.91	58.0 / 57.8	M20x40	500	1298	730	32
NDW250M	406	349	168	250.0 / 249.5	80	483	135	419	24.5 / 24.0	65.030 / 65.011	140	110	18.00 / 17.957	11.00 / 10.91	58.0 / 57.8	M20x40	500	1298	730	32
NDW280S	457	368	190	280.0 / 279.0	100	538	167	487	24.5 / 24.0	75.030 / 75.011	140	110	20.00 / 19.948	12.00 / 11.91	67.5 / 67.3	M20x40	540	1431	810	35
NDW280M	457	419	190	280.0 / 279.0	100	538	167	487	24.5 / 24.0	75.030 / 75.011	140	110	20.00 / 19.948	12.00 / 11.91	67.5 / 67.3	M20x40	536	1431	810	35
NDW315S	508	406	216	315.0 / 314.0	110	597	164	533	28.5 / 28.0	80.030 / 80.011	170	140	22.00 / 21.948	14.00 / 13.91	71.0 / 70.8	M20x40	590	1595	845	38
NDW315M	508	457	216	315.0 / 314.0	110	597	164	533	28.5 / 28.0	80.030 / 80.011	170	140	22.00 / 21.948	14.00 / 13.91	71.0 / 70.8	M20x40	590	1595	845	38
NDW315LX	508	508	216	315.0 / 314.0	110	610	235	740	28.5 / 28.0	90.035 / 90.013	170	140	25.00 / 24.948	14.00 / 13.91	81.0 / 80.8	M24x50	655	1750	885	40
NDW355S	610	500	254	355.0 / 354.0	110	710	253	745	28.5 / 28.0	100.035 / 100.013	210	160	28.00 / 27.948	16.00 / 15.89	90.0 / 89.8	M24x50	672	1960	950	40
NDW355M	610	560	254	355.0 / 354.0	110	710	253	745	28.5 / 28.0	100.035 / 100.013	210	160	28.00 / 27.948	16.00 / 15.89	90.0 / 89.8	M24x50	672	1960	950	40
NDW355L	610	630	254	355.0 / 354.0	110	710	253	745	28.5 / 28.0	100.035 / 100.013	210	160	28.00 / 27.948	16.00 / 15.89	90.0 / 89.8	M24x50	672	1960	950	40

Slipring Motors



OUTLINE DIMENSION DRAWING FOR 3 PHASE SLIP RING TEFC FOOT MOUNTED TB ON TOP SINGLE/DOUBLE SHAFT INDUCTION MOTORS (FRAME:NDW355LX)



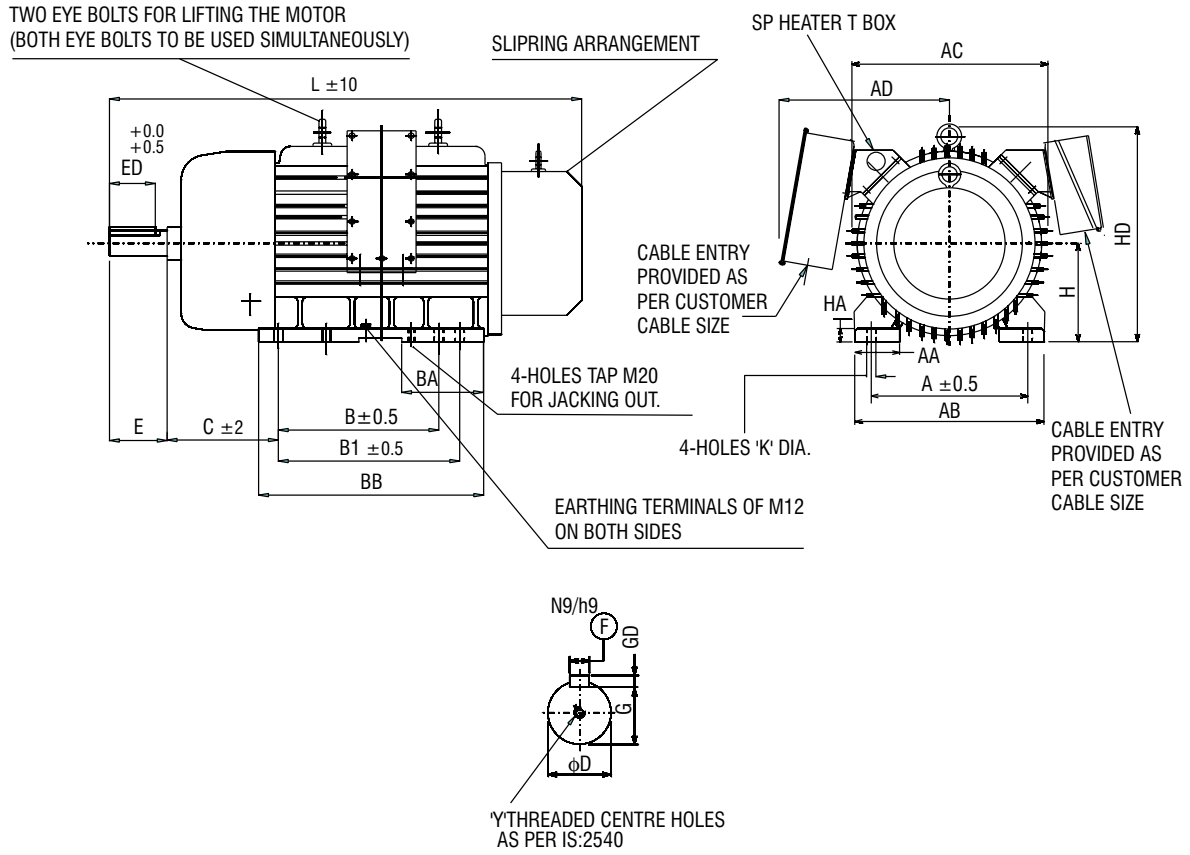
RINGED DIMENSIONS ARE AS PER IS:1231
ALL DIMENSIONS ARE IN mm

Frame	A	B	C	H	AA	AB	BA	BB	K	D	E	ED	F	GD	G	Y	AD	AC	L	HD	HA
4 POLE & UP																					
NDW355LX	610	630	254	355.0/ 354.0	110	710	250	850	28.5/ 28.0	100.035/ 100.013	210	160	28.00/ 27.948	16.00/ 15.89	90.0/ 89.8	M24x50	720	720	2045	950	40

Slipring Motors



DIMENSION DRAWING FOR 3 PHASE TEFC SLIPRING FOOT MOUNTED INDUCTION MOTORS (FRAME : ND400 LX)



ALL DIMENSIONS ARE IN mm

FRAME SIZE	FOOT FIXING										SHAFT AND KEY *							OVERALL				
	A	B	B1	C	H	AA	AB	BA	BB	K	D	E	ED	F	GD	G	Y	AD	AC	L	HD	HA
NDW400LX	686	800	900	450	400 399	195	845	400	1057	35.0 34.5	100.035 100.013	210	160	28.00 27.948	16.00 15.89	90.0 89.8	M24x50	800	860	2180	1060	45

SPDP Slipping Motors



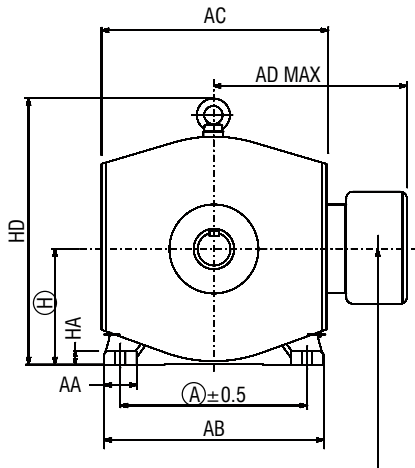
PERFORMANCE FIGURES OF SPDP SLIPPING MOTORS FOR 45°C / 75°C

OUTPUT		P O L E	FRAME SIZE	FL RPM	FLC Amp	EFFICIENCY (%)			POWER FACTOR			OC Rotor Volts	Rotor Curr. Amp	GD. ² kgm ²	POT %FLT	WT. kg.
kW	HP					FL	3/4 Load	1/2 Load	FL	3/4 Load	1/2 Load					
3.7	5.0	8	CW160M	700	10	78.0	77.0	75.0	0.68	0.64	0.56	230	9	0.51	270	130
5.5	7.5	6	CW160M	935	14	80.0	79.0	77.0	0.72	0.68	0.60	280	13	0.51	270	130
		8	CW160L	700	14	80.0	79.0	77.0	0.68	0.64	0.56	235	15	0.65	270	150
7.5	10.0	4	CW160M	1410	16	82.0	81.0	79.0	0.82	0.78	0.70	375	12	0.41	270	130
		6	CW160L	935	17	83.0	82.0	80.0	0.72	0.68	0.60	260	19	0.65	270	150
		8	CW180M	705	19	82.0	81.0	79.0	0.68	0.64	0.56	350	13	1.14	270	200
9.3	12.5	4	CW160L	1420	19	83.0	82.0	80.0	0.82	0.78	0.70	380	16	0.53	280	150
		6	CW180M	940	19	83.0	82.0	80.0	0.82	0.78	0.70	300	20	1.14	260	200
		8	CW180L	705	24	82.0	81.0	79.0	0.68	0.64	0.56	345	17	1.45	270	220
11.0	15.0	4	CW160L	1420	22	84.0	82.0	80.0	0.82	0.78	0.70	390	18	0.53	280	150
		6	CW180M	940	23	83.0	82.0	80.0	0.82	0.78	0.70	500	14	1.14	260	200
		8	CW180L	705	27	82.0	81.0	79.0	0.70	0.66	0.58	345	20	1.45	270	220
15.0	20.0	4	CW180M	1420	31	83.0	82.0	80.0	0.82	0.78	0.70	390	23	0.53	280	150
		6	CW180L	945	31	83.0	82.0	80.0	0.82	0.78	0.70	510	18	1.33	260	220
		8	CW200M	720	35	84.0	83.0	81.0	0.71	0.67	0.59	240	40	2.20	210	275
18.5	25.0	4	CW180M	1420	36	84.0	83.0	81.0	0.86	0.80	0.72	480	23	0.91	290	200
		6	CW200M	960	38	86.0	85.0	83.0	0.78	0.74	0.66	515	23	2.20	260	275
		8	CW200L	720	43	84.0	83.0	81.0	0.72	0.68	0.60	235	50	2.20	220	299
22.0	30.0	4	CW180L	1420	42	86.0	85.0	83.0	0.84	0.80	0.72	480	28	1.16	300	220
		6	CW200L	965	46	86.0	85.0	83.0	0.78	0.74	0.66	485	28	2.30	280	299
		8	CW225M	720	49	86.0	85.0	83.0	0.73	0.69	0.61	235	60	3.35	210	380
30.0	40.0	4	CW200M	1440	57	87.0	86.0	84.0	0.84	0.80	0.72	470	39	1.79	300	275
		6	CW225M	965	60	88.0	87.0	85.0	0.78	0.74	0.66	536	35	3.35	260	380
		8	CW225M	720	65	87.0	86.0	84.0	0.74	0.70	0.62	235	80	3.35	210	380
37.0	50.0	4	CW200L	1440	70	87.0	86.0	84.0	0.84	0.80	0.72	430	52	2.11	320	299
		6	CW225M	970	74	89.0	88.0	86.0	0.78	0.74	0.66	536	42	3.35	260	390
		8	CW250S	720	79	89.0	88.0	86.0	0.74	0.70	0.62	465	50	5.70	240	455
45.0	60.0	4	CW225M	1450	82	89.0	88.0	86.0	0.85	0.81	0.73	576	49	2.65	320	380
		6	CW250S	970	88	89.0	88.0	86.0	0.80	0.76	0.68	507	53	5.70	230	455
		8	CW250M	725	95	89.0	88.0	86.0	0.74	0.70	0.62	480	59	6.66	250	525
55.0	75.0	4	CW225M	1460	102	89.0	88.0	86.0	0.84	0.80	0.72	576	59	2.65	320	380
		6	CW250M	975	104	90.0	89.0	87.0	0.82	0.78	0.70	515	65	6.66	250	525
		8	CW280S	730	109	90.0	89.0	87.0	0.78	0.74	0.66	425	79	10.65	260	635
75.0	100.0	4	CW250S	1460	135	90.5	90.0	88.0	0.84	0.80	0.72	505	88	4.77	240	455
		6	CW280S	975	134	91.5	91.0	89.0	0.85	0.81	0.73	300	154	10.09	280	635
		8	CW280M	730	149	90.0	89.0	87.0	0.78	0.74	0.66	535	83	13.44	260	750
90.0	120.0	4	CW250MX	1460	158	92.0	91.0	89.0	0.86	0.82	0.74	500	110	7.15	280	695
		6	CW280M	975	160	92.0	91.0	89.0	0.85	0.81	0.73	360	160	13.44	280	750
		8	CW315S	730	180	91.5	91.0	89.0	0.76	0.72	0.64	490	112	19.16	250	870
110.0	150.0	4	CW280M	1455	198	91.0	90.0	88.5	0.85	0.80	0.70	250	275	9.23	280	635
		6	CW315S	973	196	92.0	91.5	90.0	0.85	0.82	0.76	290	250	17.50	275	870
		8	CW315MX	730	218	91.0	91.0	89.0	0.77	0.73	0.65	350	190	21.66	250	980
132.0	175.0	4	CW280MX	1460	227	92.0	92.0	91.0	0.88	0.84	0.72	300	275	11.07	300	750
		6	CW315MX	975	234	92.5	92.0	91.0	0.85	0.82	0.76	345	250	20.83	275	980
		8	CW355L	740	265	93.5	92.5	90.5	0.74	0.67	0.55	410	200	40.30	300	1200
160.0	215.0	4	CW315M	1470	279	94.0	93.5	92.5	0.85	0.80	0.70	420	230	14.64	300	870
		6	CW315MX	980	299	93.0	92.5	91.0	0.80	0.75	0.68	470	225	26.66	350	980
		8	CW355L	740	326	93.6	92.7	91.0	0.73	0.66	0.54	490	203	47.80	300	1200
180.0	240.0	4	CW315MX	1470	306	93.0	92.5	91.0	0.88	0.85	0.78	465	206	17.43	300	980
		6	CW355L	980	319	93.5	92.5	91.0	0.84	0.79	0.69	380	300	36.30	300	1200
		8	CW355L	740	361	93.8	93.0	91.5	0.74	0.67	0.55	525	213	51.00	300	1200
200.0	270.0	4	CW315MX	1475	342	93.5	93.0	91.0	0.87	0.84	0.76	580	225	20.91	350	980
		6	CW355L	975	346	93.5	92.5	91.0	0.86	0.81	0.72	380	330	36.30	300	1200
		8	CW355L	740	411	94.0	93.5	92.0	0.72	0.65	0.52	560	222	53.90	275	1200
225.0	300.0	4	CW315MX	1475	378	94.0	93.5	92.0	0.88	0.85	0.78	580	250	22.20	300	980
		6	CW355L	980	396	94.0	93.0	91.0	0.84	0.79	0.69	425	330	38.70	300	1200
250.0	335.0	4	CW355L	1480	440	94.0	93.5	92.0	0.84	0.80	0.72	510	305	28.00	300	1200
		6	CW355L	980	440	94.0	93.0	91.0	0.84	0.80	0.70	450	350	40.70	300	1200

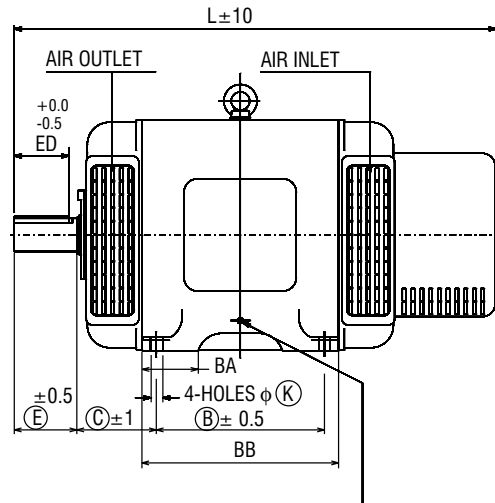
SPDP Slipping Motors



OUTLINE DIMENSION DRAWING FOR 3 PHASE SPDP SLIPRING FOOT MOUNTED INDUCTION MOTORS.

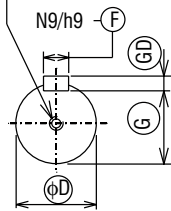


CABLE ENTRY PROVIDED AS PER CUSTOMER CABLE SIZE



EARTHING TERMINALS OF M8 SIZE ON BOTH SIDES

Y-THREADED CENTRE HOLES
AS PER IS:2540-1963



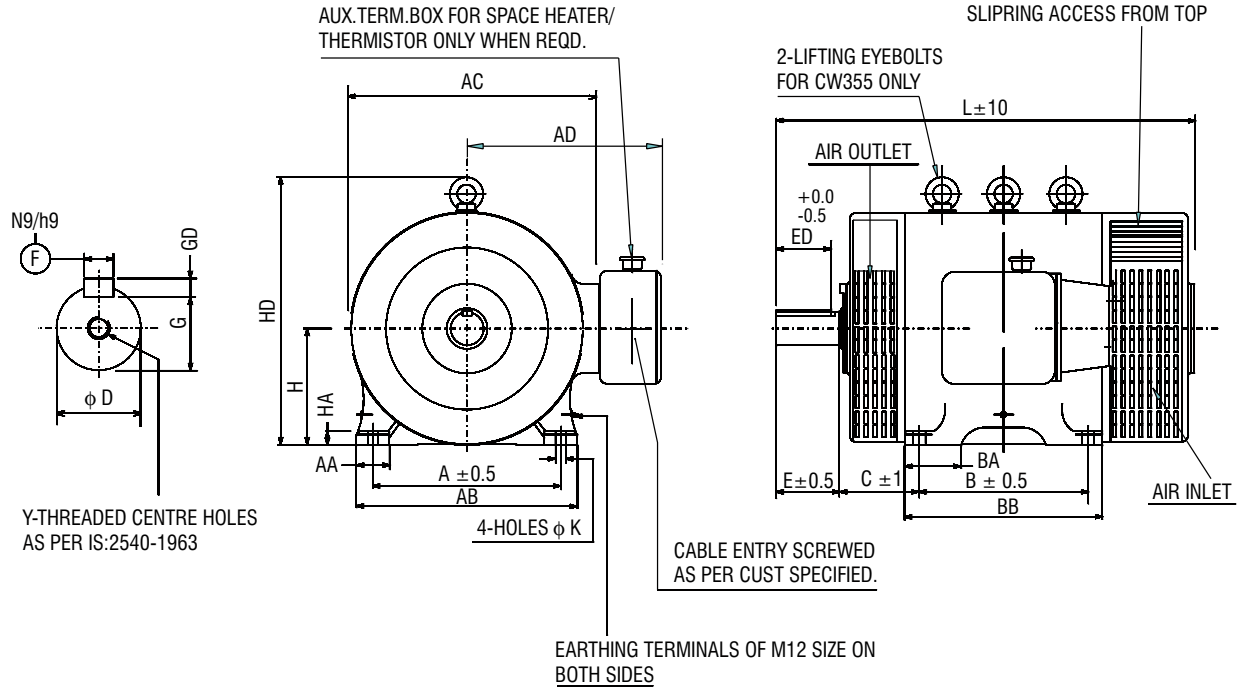
ALL DIMENSIONS ARE IN mm.

FRAME SIZE	FOOT FIXING										SHAFT & KEY						OVERALL				
	A	B	C	H TOL.	AA	AB	BA	BB	K TOL.	D TOL.	E	ED	F TOL.	GD TOL.	G	Y	AD	AC	L	HD	HA
CW160M	254	210	108	160.0	54	298	76	254	15.5	48.018	110	80	14.0	9.00	42.5	M16x32	290	390	680	395	22
CW160L		254		159.7				298	15.0	48.002			13.957	8.91	42.3				724		
CW180M	279	241	121	180.0	60	337	95	285	15.5	55.030	110	80	16.0	10.00	49.0	M20x40	335	420	802	445	22
CW180L		279		179.7				323	15.0	55.011			15.957	09.91	48.8				840		
CW200M	318	267	133	200.0	65	381	105	318	19.5	60.030	140	110	18.0	11.00	53.0	M20x40	398	460	877	498	25
CW200L		305		199.5				355	19.0	60.011			17.957	10.91	52.8				915		
CW225M	356	311	149	225.0	70	426	125	427	19.5	65.030	140	110	18.0	11.00	58.0	M20x40	398	450	1000	520	25
				224.5				19.0	65.011	17.957			10.91	57.8							

SPDP Slipping Motors



OUTLINE DIMENSION DRAWING FOR 3 PHASE SPDP INTERNAL SLIPRING FOOT MOUNTED INDUCTION MOTORS.



FRAME SIZE	FOOT FIXING									SHAFT & KEY							OVERALL				
	A	B	C	H	AA	AB	BA	BB	K	D	E	ED	F	GD	G	Y	AD	AC	'L'	HD	HA
CW250S	406	311	168	250	80	483	127	381	24.5	75.030	140	110	20.00	12.00	67.5	M20x40	428	500	970	605	28
CW250M		483						419											1005		
CW250MX		349						249.5											419		
CW280S	457	368	190	280.0	83	540	146	438	24.5	80.030	170	140	22.00	14.00	71.0	M20x40	515	560	1050	663	35
CW280M		540						489											1121		
CW280MX		419						279.0											489		
CW315S	508	406	216	315.0	89	597	184	533	28.0	90.035	170	140	25.00	14.00	81.0	M24x50	576	630	1240	734	38
CW315M		597					153												1370		
CW315MX		457					314.0												153		
CW355M	610	560	254	355	89	730	250	860	28.5	100.035	210	160	28.000	16.00	90.0	M24x50	600	780	1670	827	40
CW355L		630		354					28.0												

Northern Region Sales Office :

New Delhi :

Vandana, 11, Tolstoy Marg, New Delhi - 110 001
Phones : (011) 30416300

Jalandhar :

416-417, 3rd Floor, Prestige Chambers,
GT Road, Jalandhar - 144 001
Phones : (0181) 3240990

Lucknow :

Saran Chambers II, 3rd Floor, 5 Park Road,
Lucknow - 226 001
Phones : (0522) 3018850

Jaipur :

Church Road, P. O. Box. No. 173, Jaipur-302 001
Phones : (0141) 3018800

Eastern Region Sales Office :

Kolkata :

50, Chowringhee Road, Kolkata - 700 071
Phones : (033) 22829681-85

Bhubaneswar :

Janpath Tower, Third Floor,
Ashok Nagar, Unit II,
Bhubaneswar - 751 009
Phones : (0674) 2531128

Western Region Sales Office :

Mumbai :

Kanjur Marg (E), Mumbai-400 042.
Phones : (022) 67558000

Ahmedabad :

909-916, Sakar II, Near Ellis Bridge Police Station,
Ahmedabad - 380 006
Phones : (079) 40012000

Pune :

Premium Point, 4th Floor, Opp. Modern High School,
Jangali Maharaj Road, Pune 5.
Phones : (020) 25534675-77

Indore :

103-B, Apollo Trade Centre, 2B, Rajgarh Kothi,
Mumbai-Agra Road, Indore - 452 001.
Phones : (0731) 2498269

Nagpur :

3, West High Court Road, Lal Bahadur Shastri Chowk,
Dharampath, Nagpur - 440 010
Phones : (0712) 2531271

Raipur :

5, New Tilak Nagar, Near Sai Care Hospital,
Avanthi Bihar Colony, Raipur.
Phones : (0771) 4022215

Southern Region Sales Office :

Chennai :

No.3-A, MGR Salai, Kodambakkam High Road,
Nungambakkam,
Chennai - 600 034.
Phones : (044) 42247500

Bangalore :

1st Floor, Janardhana Towers, 562/640,
Bannerghetta Road, Bilekahalli, Bangalore 560 076.
Phones : (080) 41391908

Cochin :

Cherupushpam Building, 5th Floor, 300-6
Shanmugham Road, Ernakulam, Cochin - 682 031.
Phones : (0484) 2370860

Secunderabad :

4th Floor, Minerva House, 94, Sarojini Devi Road,
Secunderabad - 500 003.
Phones : (040) 40002300

Regional Service Centres :

North : Vandana, 11, Tolstoy Marg, New Delhi-110 001. Phones: (011) 30416308.

East : 21, R.N.Mukherjee Road, Kolkata-700 001. Phones: (033) 22489160.

West : Kanjur Marg (E), Mumbai 400 042. Phones : (022) 67558590.

South : 3A, MGR Salai, Kodambakkam High Road, Nungambakkam, Chennai-600 034. Phones : (044) 23651369.

NOTE : As the design and manufacture of Crompton Greaves electrical equipment are subject to constant improvement,, the product supplied may differ in some details from the specifications and illustrations given in this booklet.
For more details, contact Works.

Crompton Greaves Limited

LT Motors Division

Manufacturing Units :

Ahmednagar Works :

A-6/2, M.I.D.C. Industrial Area, Ahmednagar - 414 111.

Tel.: (0241) 2776 150 - 157. Fax : (0241) 2777508, 2777800.

Goa Works :

S-14/15, Colvale Industrial Estate, Colvale, Bardez, Goa - 403 513.

Tel.: (0832) 2299664 / 665 / 666 Fax: (0832) 2299663.

Registered Office :

CG House, 6th Floor, Dr. Annie Besant Road, Worli, Mumbai - 400 030. India.

W : www.cgglobal.com